

Brand hansgrohe  
 Art. Name **Finoris** 3-hole basin mixer 110 with push-open waste set  
 Art. Nr. 76033670  
 Surface Matt Black



reddot winner 2021



DESIGN AWARD 2021



GERMAN DESIGN AWARD GOLD 2022

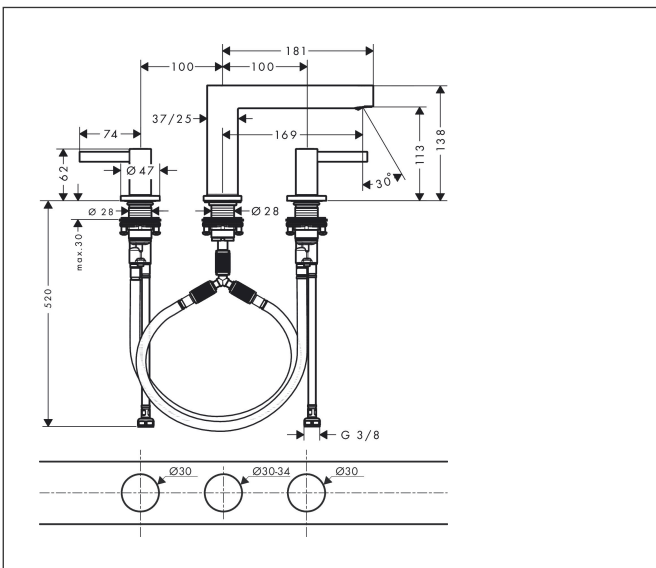
## Product picture



## Features

- consists of: 3-hole basin mixer, waste set
- ComfortZone: 110
- projection: 169 mm
- spout height: 113 mm
- handle variant: pin handle
- spray type: LaminarSpray
- maximum flow rate at 3 bar: 5 l/min
- ceramic valves hot/cold 90°
- suitable for continuous flow water heaters
- push-open waste set G 1 1/4
- material waste set: metal
- connection type: G 3/8 hose connection
- connection dimension: DN15
- EU taxonomy: max. 6 l/min - Substantial Contribution (SC) possible

## Drawing

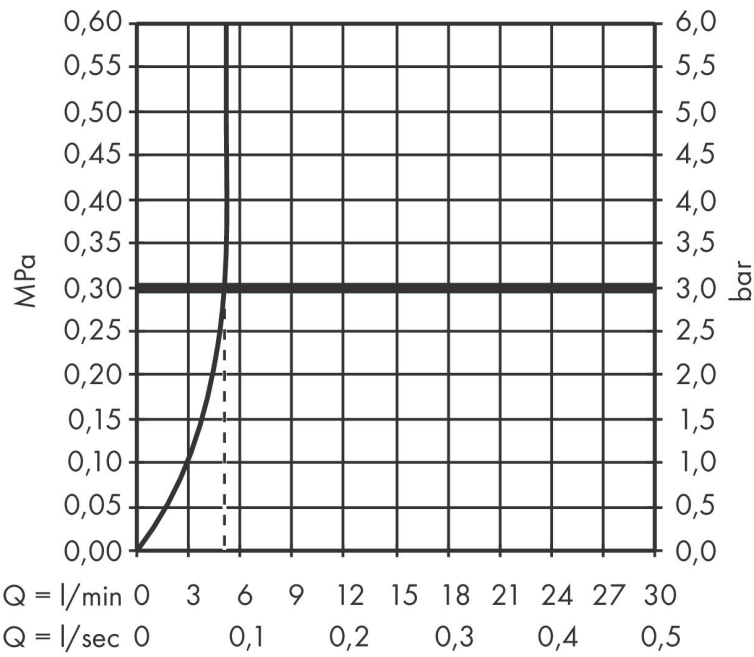


## Technology



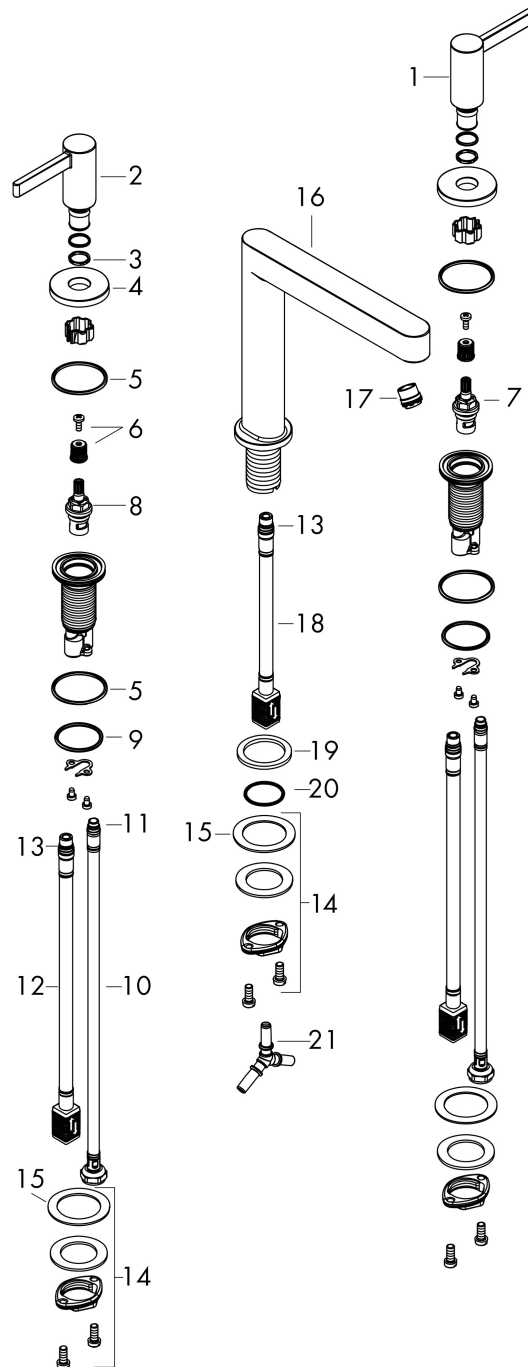
Brand hansgrohe  
 Art. Name **Finoris** 3-hole basin mixer 110 with push-open waste set  
 Art. Nr. 76033670  
 Surface Matt Black

## Flow chart



Brand hansgrohe  
 Art. Name **Finoris** 3-hole basin mixer 110 with push-open waste set  
 Art. Nr. 76033670  
 Surface Matt Black

## Spare Parts Drawing for build year: >06/21



Brand hansgrohe  
 Art. Name **Finoris** 3-hole basin mixer 110 with push-open waste set  
 Art. Nr. 76033670  
 Surface Matt Black

## Spare parts list for build year: >06/21

Pos.	Description	Articlenumber
1	handle for cold water	93970670
2	handle for hot water	93969670
3	O-Ring 14x1,5	98201000
4	escutcheon for handle	92956670
5	O-ring 26x2,5	98216000
6	handle fixing set	98932000
7	shut off unit left closing	95366000
8	shut off unit right closing	98817000
9	O-ring 33x2,5	92907000
10	connection hose 450 mm M8x0,75 G3/8	97206000
11	O-ring 6,6x1,6	93019000
12	connection hose 400 mm M10x1	92914000
13	O-ring 7x1,5	98422000
14	fixing set (Ø 28)	92909000
15	lever collar	97548000
16	spout cpl.	93971670
17	spray former	93973000
18	connection hose 200 mm M10x1	92913000
19	flat seal	98749000
20	O-ring 26x4	92191000
21	hose connection angel	92905000
a	push-open waste set	50100670