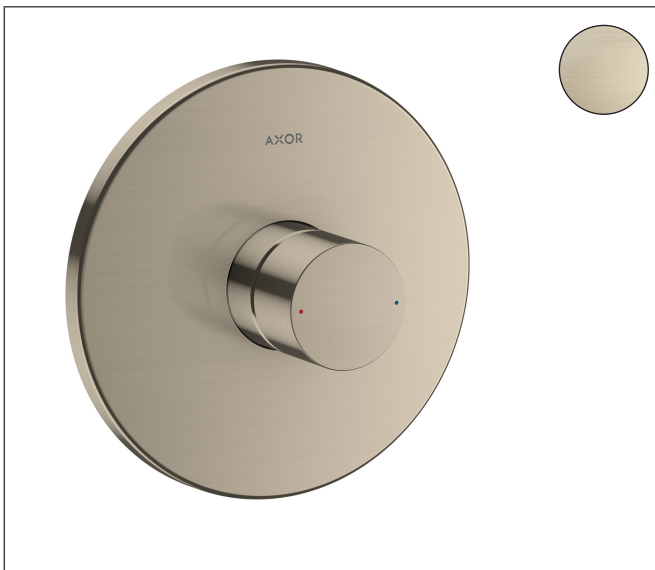


Brand AXOR
Art. Name **AXOR Uno** Single lever shower mixer for concealed installation with zero handle
Art. Nr. 45605820
Surface Brushed Nickel

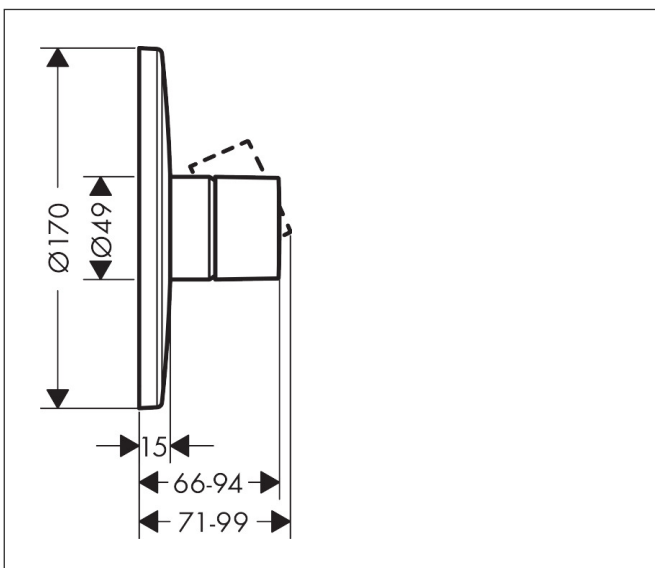
Product picture



Features

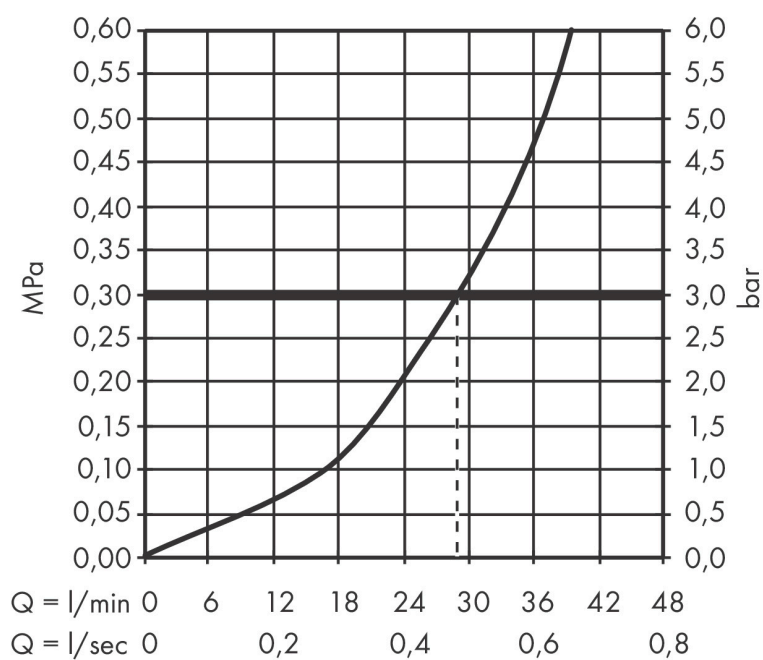
- 1 function
- maximum flow rate at 3 bar: 29 l/min
- ceramic cartridge
- temperature limitation adjustable
- with silencer
- suitable for continuous flow water heaters
- min. operating pressure: 1 bar
- max. operating pressure: 10 bar
- connection type: basic set

Drawing



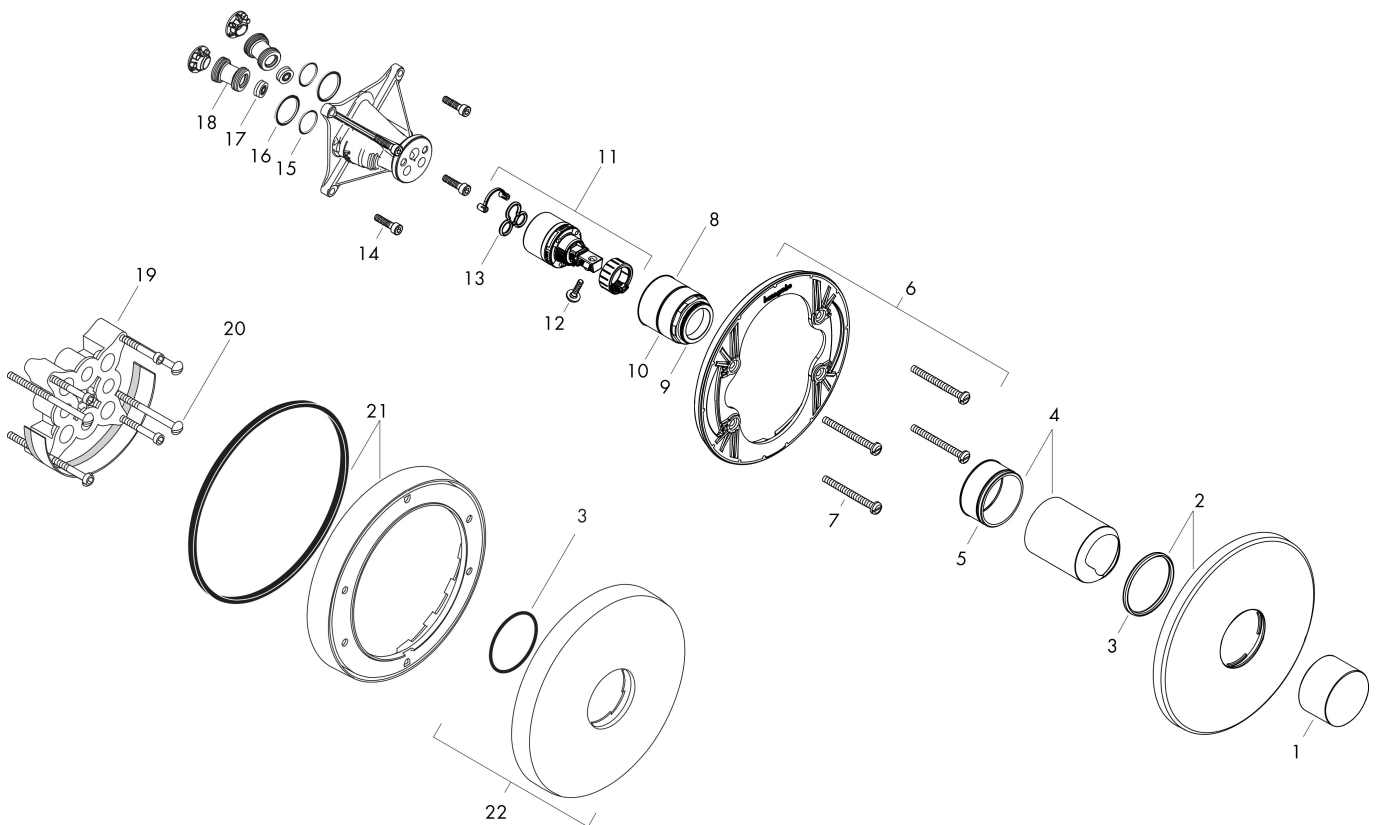
Brand AXOR
Art. Name **AXOR Uno** Single lever shower mixer for concealed installation with zero handle
Art. Nr. 45605820
Surface Brushed Nickel

Flow chart



Brand AXOR
Art. Name **AXOR Uno** Single lever shower mixer for concealed installation with zero handle
Art. Nr. 45605820
Surface Brushed Nickel

Spare Parts Drawing for build year: >10/19



Brand AXOR
 Art. Name **AXOR Uno** Single lever shower mixer for concealed installation with zero handle
 Art. Nr. 45605820
 Surface Brushed Nickel

Spare parts list for build year: >10/19

Pos.	Description	Articlenumber
1	handle	93038820
2	escutcheon Ø 170 mm	95803820
3	O-Ring 48x3	95508000
4	flange	98684820
5	O-ring 43x1,5	98148000
6	sub plate	96447000
7	set of fixing screws	96454000
8	nut	98796000
9	O-ring 30x1,5	98433000
10	O-ring 39x1,5	98400000
11	cartridge, assy	92730000
12	locking screw for handle	95140000
13	seal	95008000
14	set of screws	96525000
15	O-ring 16x2	98133000
16	O-Ring 22x2	98185000
17	flow limiter (22 l/min)	95884000
18	noise reduction	96429000
19	extension 25 mm	13595000
20	set of fixing screws	97747000
21	extension 22 mm (Ø 170 mm)	13596000
22	escutcheon height = 33 mm (when wall is not deep enough).	14960820
a	concealed item	01800180