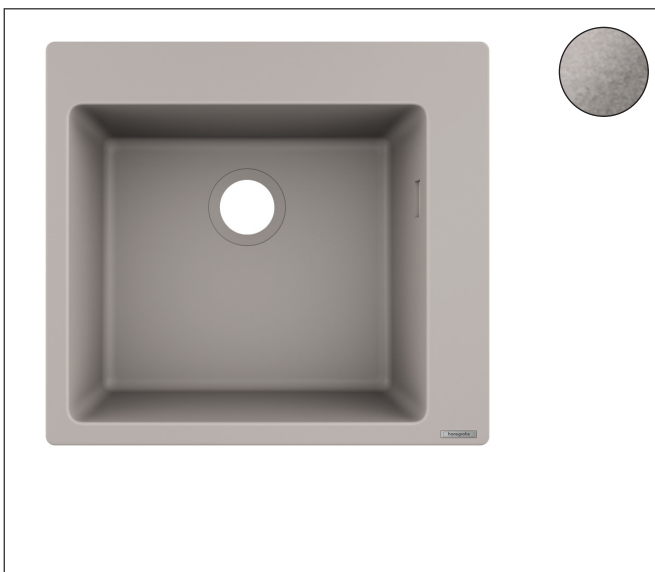


Brand hansgrohe
 Art. Name **S51 S510-F450** Built-in sink 450
 Art. Nr. 43312380
 Surface Concretegrey

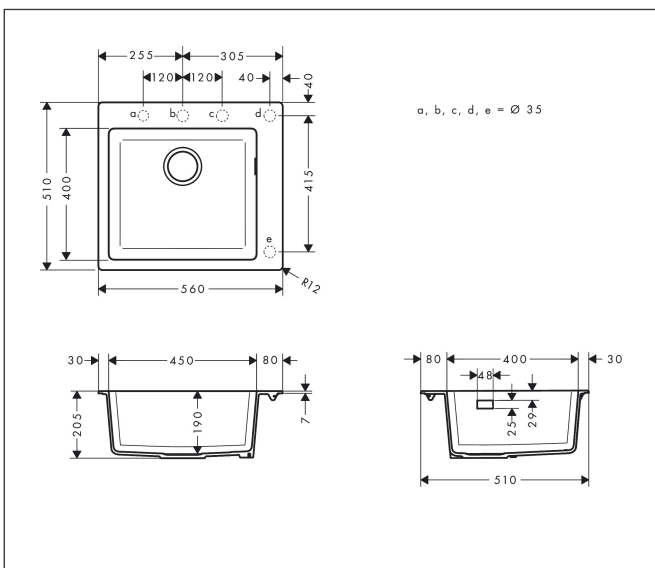
Product picture



Features

- cut-out dimensions: 540 x 490 mm
- material: SilicaTec
- number of bowls: 1 main bowl
- tap hole for drilling is predefined (see scale drawing), diamond drill included
- cabinet size: 60 cm
- installation type: topmount
- position overflow: on the right side of the bowl
- sink depth: 190 mm
- waste set not included - please order one waste set from the required parts
- sink wall thickness: 7 mm
- diameter drain hole: 90 mm

Drawing





Technology



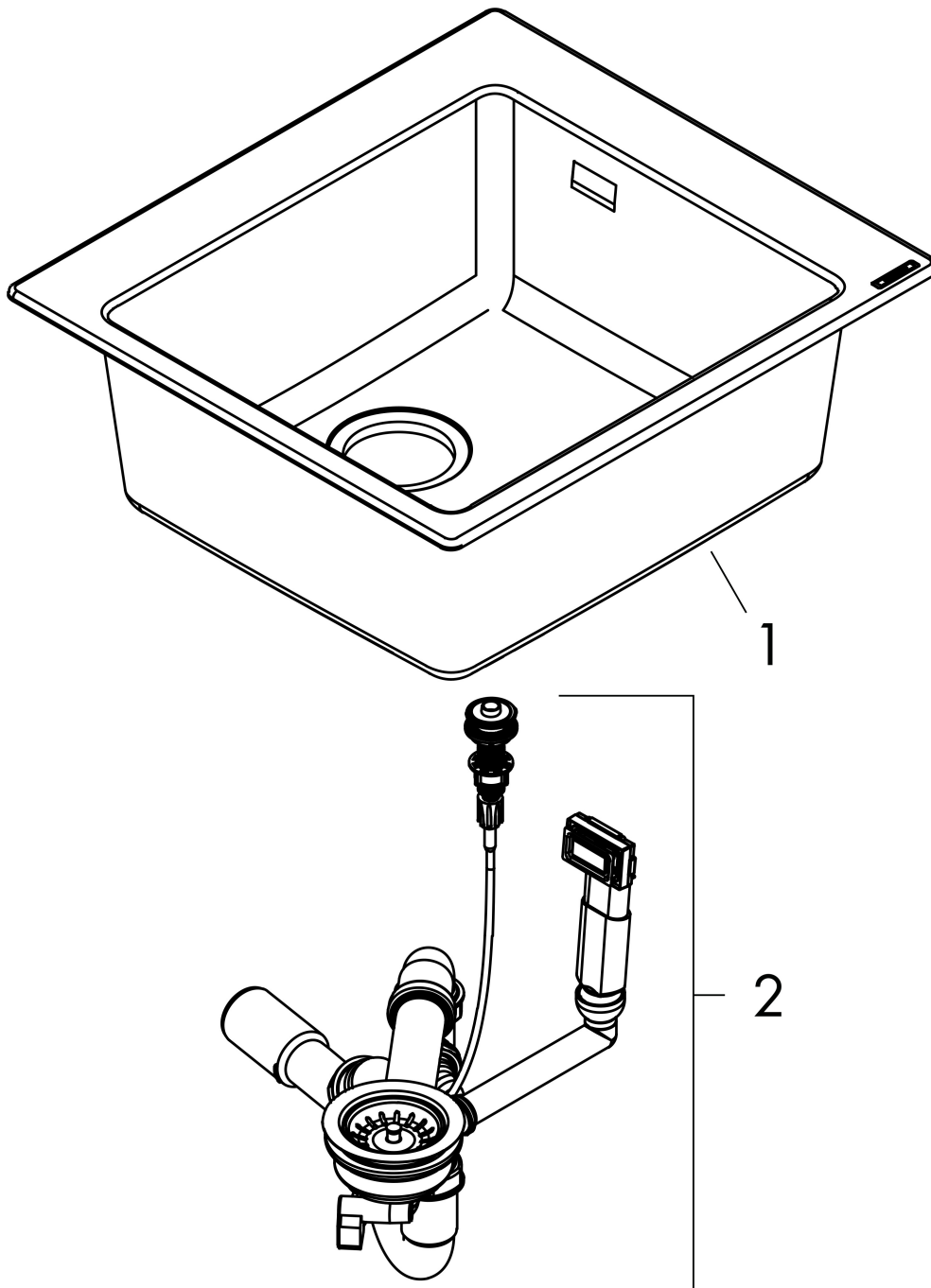
Brand hansgrohe
 Art. Name **S51** S510-F450 Built-in sink 450
 Art. Nr. 43312380
 Surface Concretegrey

Required parts (choose one)

Product picture	Art. Name	Art. Nr.
	hansgrohe D16-10 Manual waste and overflow set for single bowl granite Chrome	43927000
	hansgrohe D16-11 Automatic waste and overflow set for single bowl granite Chrome	43937000

Brand hansgrohe
Art. Name **S51** S510-F450 Built-in sink 450
Art. Nr. 43312380
Surface Concretegrey

Spare Parts Drawing for build year: >01/18



Brand hansgrohe
Art. Name **S51** S510-F450 Built-in sink 450
Art. Nr. 43312380
Surface Concretegrey

Spare parts list for build year: >01/18

Pos.	Description	Articlenumber
1	Kitchen sink	43318387
2	waste	43937000