

Brand AXOR  
 Art. Name **AXOR Drain** Finish set shower drain 700  
 Art. Nr. 42520800  
 Surface Brushed Stainless Steel



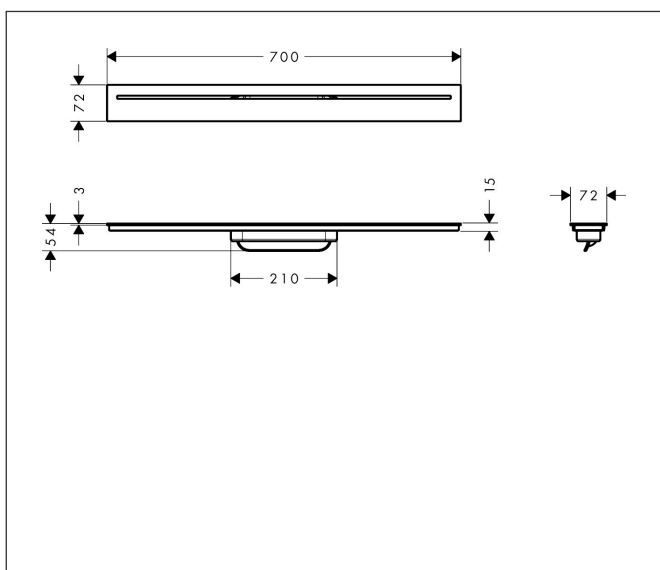
## Product picture



## Features

- consists of: design grate, installation set, Dryphon
- mounting type: free in the floor
- easy to clean surface
- installation set height adjustable by 7-18 mm tile thickness
- tile thickness: up to 18 mm
- suitable for any type of tile
- up to 53 l/min drainage capacity
- where to use: new construction, renovation
- grate removal tool allows easy removal of the finish set
- type of odour seal: mechanical
- Dryphon enables waterless siphon system
- no visible silicone joint
- with integrated slope
- grate material: Stainless Steel 304 (1.4301)
- suitable for primary drainage

## Drawing






## Technology



Brand AXOR  
Art. Name **AXOR Drain** Finish set shower drain 700  
Art. Nr. 42520800  
Surface Brushed Stainless Steel

---

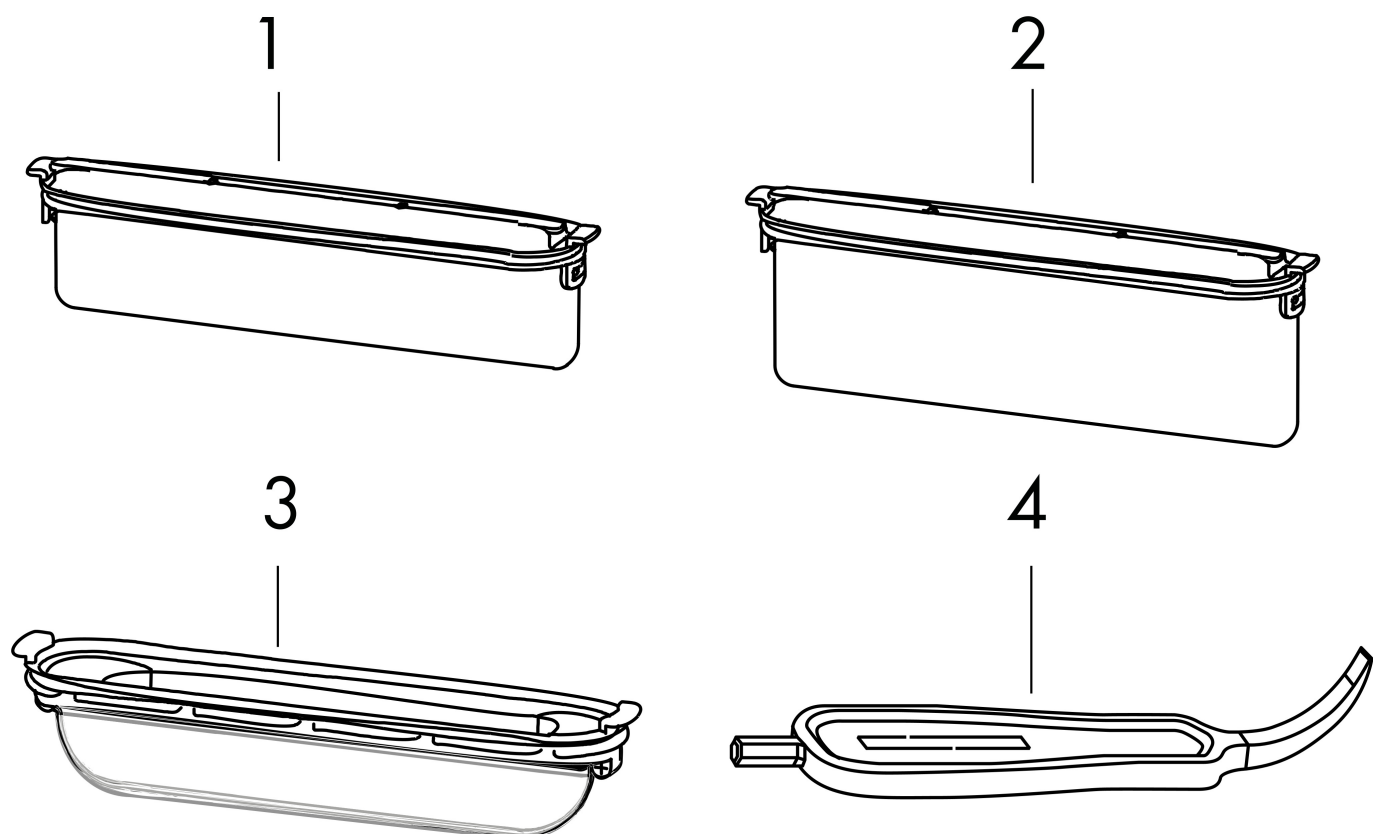
## Required parts (choose one)

Product picture	Art. Name	Art. Nr.
	AXOR Base set for finish sets for standard installation	01005180
	AXOR Base set for finish sets for flat installation	01006180
	AXOR Base set for finish sets for vertical installation	01007180

Brand AXOR  
Art. Name **AXOR Drain** Finish set shower drain 700  
Art. Nr. 42520800  
Surface Brushed Stainless Steel

---

## Spare Parts Drawing for build year: >04/23



Brand AXOR  
Art. Name **AXOR Drain** Finish set shower drain 700  
Art. Nr. 42520800  
Surface Brushed Stainless Steel

---

## Spare parts list for build year: >04/23

Pos.	Description	Articlenumber
1	trap cpl.	94322000
2	trap cpl.	94323000
3	Dryphon	94326000
4	service tool	94327000