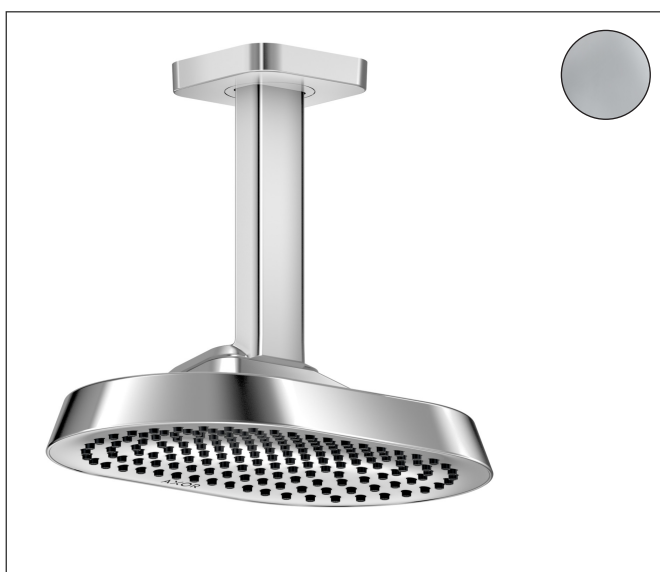
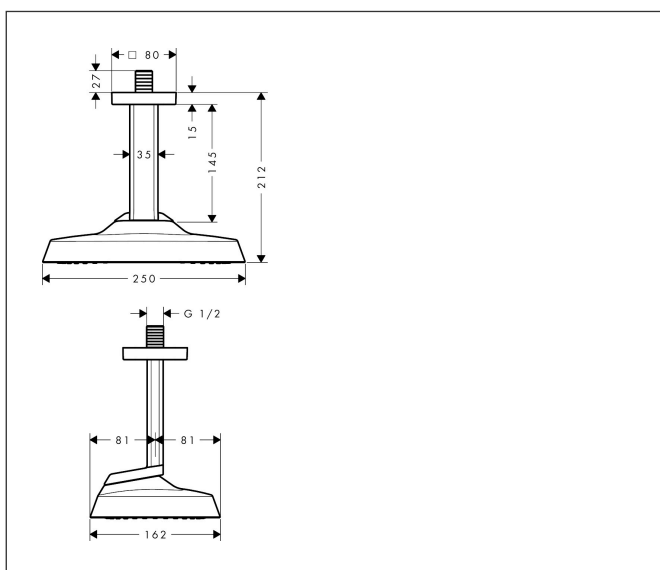


Brand AXOR
 Art. Name **AXOR ShowerSphere** Overhead shower 250/160 1jet EcoSmart+ with ceiling connector
 Art. Nr. 39771000
 Surface Chrome

Product picture



Drawing



Features

- consists of: overhead shower, ceiling connector
- shower head size: 250 x 160 mm
- spray type: Rain
- FlexPower: nozzles automatically adjust to water pressure by opening and closing
- QuickClean+: reduce limescale deposits thanks to the elasticity of the nozzles
- flow regulator: 6 l/min (with possible tolerances -20 %)
- flow rate Rain spray at 3 bar: 5,5 l/min
- function from: 4,5 l/min
- maximum flow rate at 3 bar: 6 l/min
- minimum flow pressure: 0,7 bar
- material spray disc: metal
- overhead shower removable for cleaning
- metal ceiling connector
- ceiling connection length: 145 mm
- installation: ceiling mounting
- connection thread: G 1/2
- suitable for continuous flow water heaters
- EU taxonomy: max. 6 l/min - Substantial Contribution (SC) possible

Technology



Spray Types



Brand AXOR
 Art. Name **AXOR ShowerSphere** Overhead shower 250/160 1jet EcoSmart+ with ceiling connector
 Art. Nr. 39771000
 Surface Chrome

Flow chart

