

Brand AXOR  
 Art. Name **AXOR ShowerSphere** Overhead shower 250/160 1jet EcoSmart with ceiling connector  
 Art. Nr. 39764990  
 Surface Polished Gold Optic

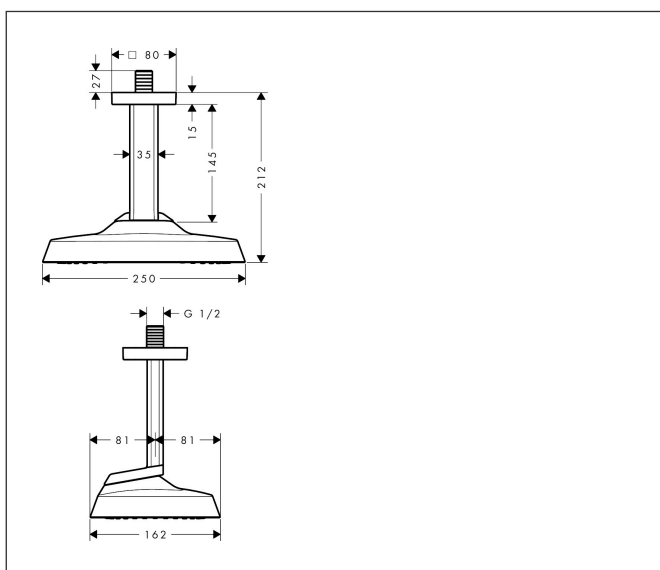
## Product picture



## Features

- consists of: overhead shower, ceiling connector
- shower head size: 250 x 160 mm
- spray type: Rain
- FlexPower: nozzles automatically adjust to water pressure by opening and closing
- QuickClean+: reduce limescale deposits thanks to the elasticity of the nozzles
- flow regulator: 8 l/min (with possible tolerances -20 %)
- flow rate Rain spray at 3 bar: 6,7 l/min
- function from: 4,6 l/min
- maximum flow rate at 3 bar: 8 l/min
- minimum flow pressure: 0,7 bar
- material spray disc: metal
- overhead shower removable for cleaning
- metal ceiling connector
- ceiling connection length: 145 mm
- installation: ceiling mounting
- connection thread: G 1/2
- suitable for continuous flow water heaters
- EU taxonomy: max. 8 l/min - Do No Significant Harm (DNSH)

## Drawing



## Technology



## Spray Types



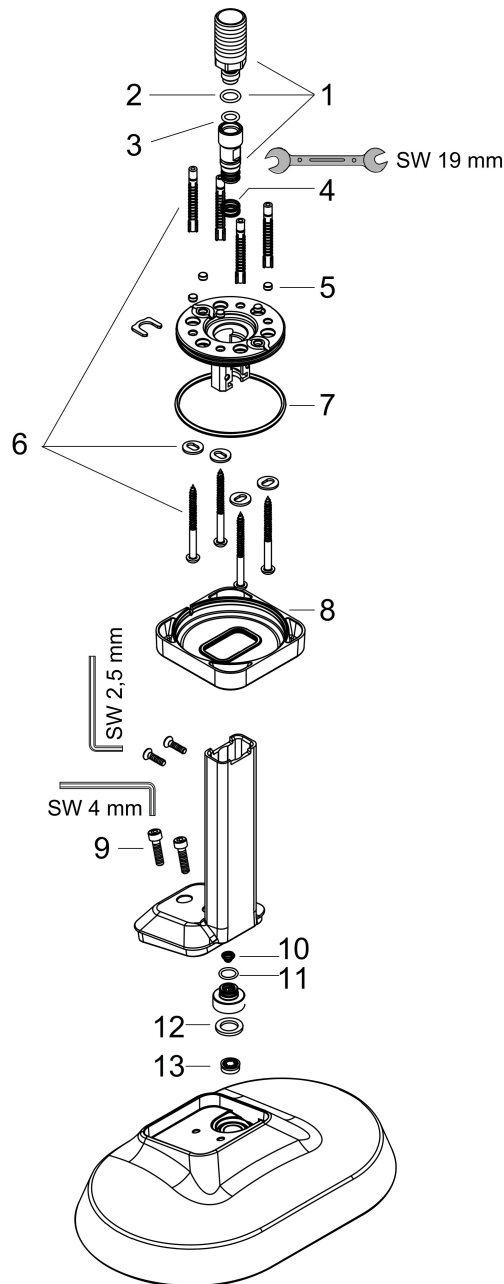
Brand AXOR  
 Art. Name **AXOR ShowerSphere** Overhead shower 250/160 1jet EcoSmart with ceiling connector  
 Art. Nr. 39764990  
 Surface Polished Gold Optic

## Flow chart



Brand AXOR  
Art. Name **AXOR ShowerSphere** Overhead shower 250/160 1jet EcoSmart with ceiling connector  
Art. Nr. 39764990  
Surface Polished Gold Optic

## Spare Parts Drawing for build year: >06/25



Brand AXOR  
 Art. Name **AXOR ShowerSphere** Overhead shower 250/160 1jet EcoSmart with ceiling connector  
 Art. Nr. 39764990  
 Surface Polished Gold Optic

## Spare parts list for build year: >06/25

Pos.	Description	Articlenumber
1	connecting thread	85088000
2	O-ring 10x2	98170000
3	O-ring 8x2	98112000
4	O-ring 10x1,5	98123000
5	screw cover	93735460
6	mounting set	96179000
7	O-ring 60x3	98180000
8	escutcheon cpl.	85087990
9	set of screws	96525000
10	filter	94467000
11	seal	98058000
12	flow limiter	98093000