

Brand	AXOR
Art. Name	AXOR Citterio E Single lever basin mixer 130 with pin handle and pop-up waste set
Art. Nr.	36100000
Surface	Chrome

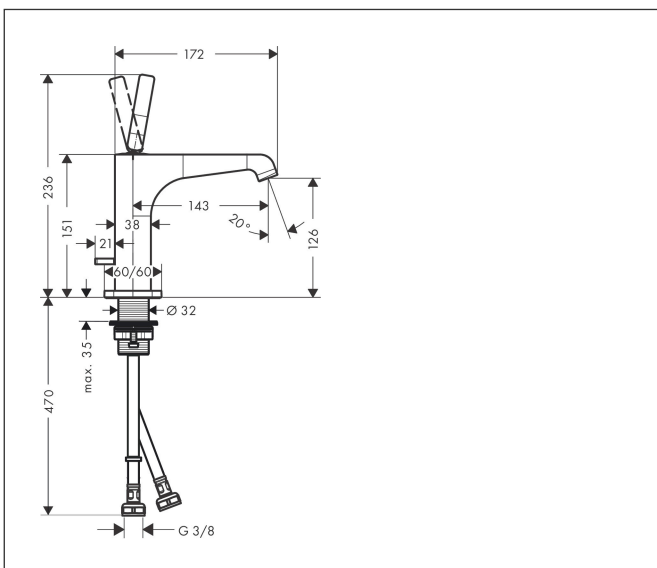
Product picture



Features

- consists of: single lever basin mixer, waste set
- ComfortZone: 130
- projection: 143 mm
- spout height: 126 mm
- handle variant: pin handle
- spray type: LaminarSpray
- maximum flow rate at 3 bar: 5 l/min
- ceramic cartridge
- suitable for continuous flow water heaters
- pop-up waste set G 1 1/4
- connection type: G 3/8 hose connections
- connection dimension: DN15
- EU taxonomy: max. 6 l/min - Substantial Contribution (SC) possible

Drawing

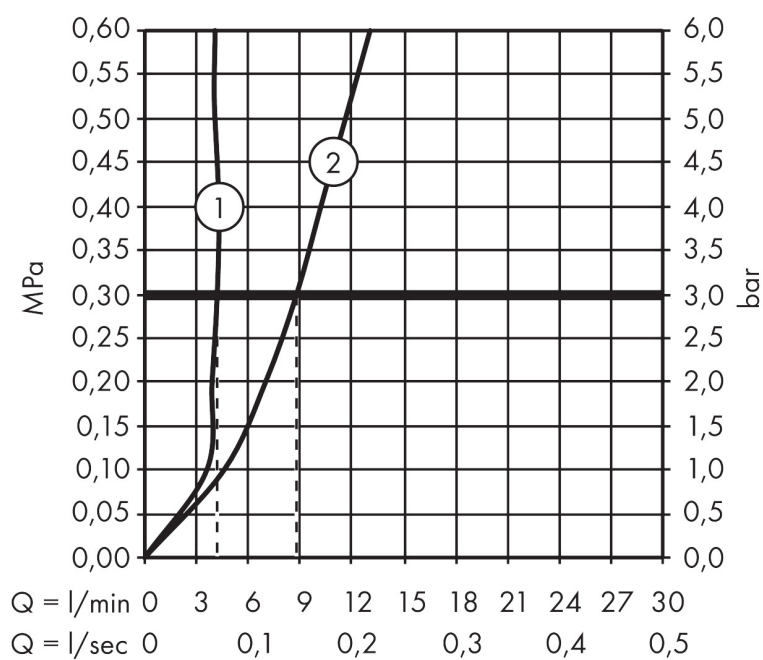


Technology



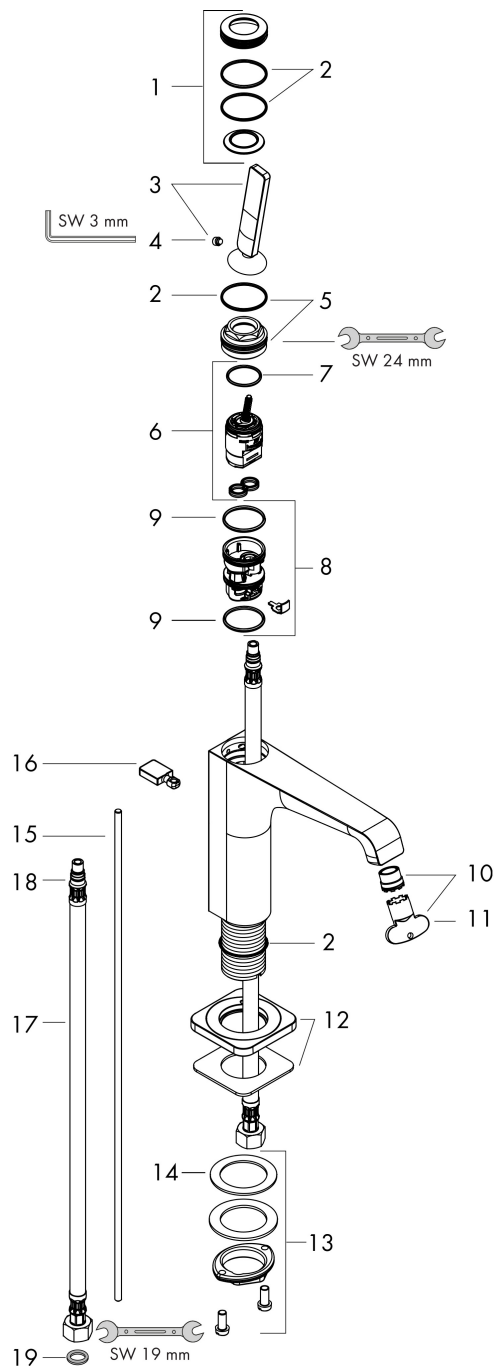
Brand AXOR
 Art. Name **AXOR Citterio E** Single lever basin mixer 130 with pin handle and pop-up waste set
 Art. Nr. 36100000
 Surface Chrome

Flow chart



Brand AXOR
Art. Name **AXOR Citterio E** Single lever basin mixer 130 with pin handle and pop-up waste set
Art. Nr. 36100000
Surface Chrome

Spare Parts Drawing for build year: >11/14



Brand AXOR
 Art. Name **AXOR Citterio E** Single lever basin mixer 130 with pin handle and pop-up waste set
 Art. Nr. 36100000
 Surface Chrome

Spare parts list for build year: >11/14

Pos.	Description	Articlenumber
1	escutcheon	92188000
2	O-ring 30x1,5	98433000
3	handle	92189000
4	hollow set screw M6x6	97660000
5	nut	95667000
6	cartridge, assy	96339000
7	O-ring 21,95x1,78	95169000
8	adapter for cartridge	95289000
9	O-ring 26x2	98147000
10	aerator laminar M16,5x1 (5 l/min)	95382000
11	special tool	98987000
12	escutcheon	92190000
13	fixing set (Ø 32)	13961000
14	lever collar	97548000
15	pull rod	95128000
16	diverter knob	92197000
17	connection hose 600 mm M8x0,75 G3/8	96556000
18	O-ring 7x1,5	98422000
19	sealing set	95581000
a	fixation extension 35 mm	13898000
b	pop up waste	94139000