

Brand hansgrohe
 Art. Name **Raindance S** Overhead shower 240 1jet PowderRain with ceiling connector
 Art. Nr. 27620000
 Surface Chrome

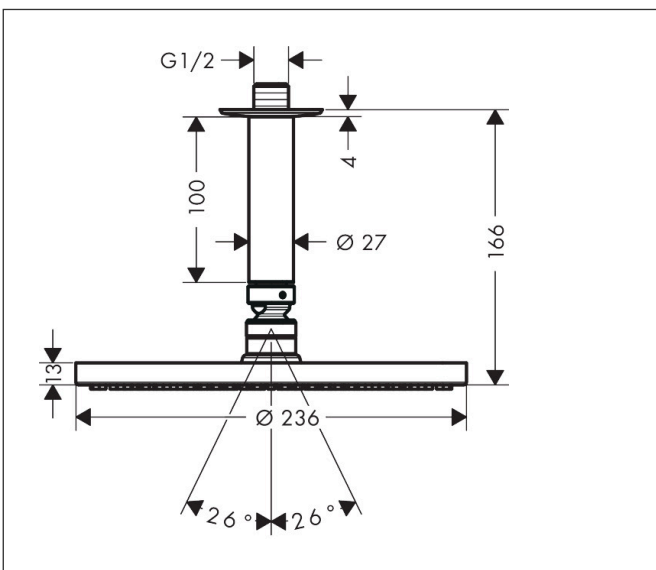
Product picture



Features

- consists of: overhead shower, ceiling connector
- shower head size: 240 mm
- spray type: PowderRain
- flow rate PowderRain spray at 3 bar: 18,1 l/min
- function from: 11,8 l/min
- maximum flow rate at 3 bar: 18,1 l/min
- minimum flow pressure: 1,1 bar
- overhead shower angle adjustable
- material spray disc: metal
- spray disc removable for cleaning
- ceiling connection length: 100 mm
- installation: ceiling mounting
- connection thread: G 1/2
- connection dimension: DN15
- suitable for continuous flow water heaters

Drawing



Technology

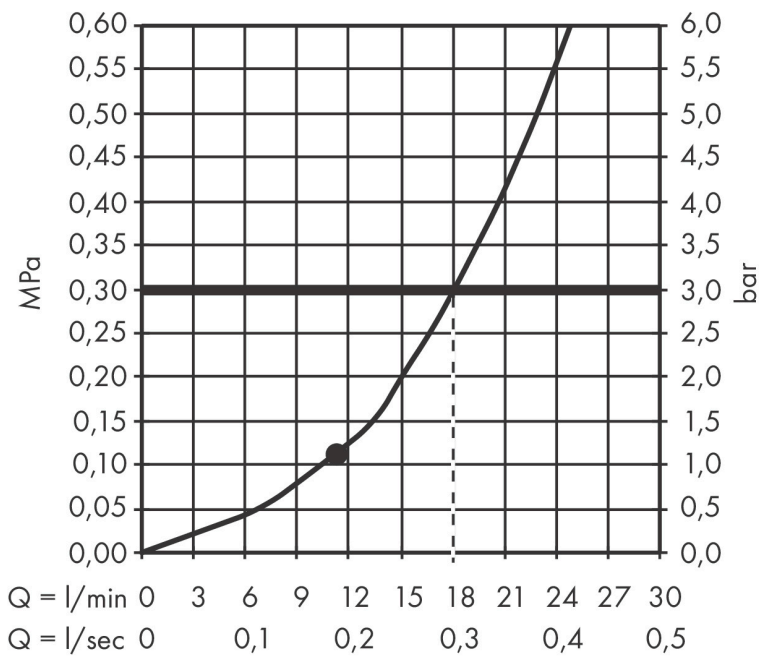


Spray Types



Brand hansgrohe
 Art. Name **Raindance S** Overhead shower 240 1jet PowderRain with ceiling connector
 Art. Nr. 27620000
 Surface Chrome

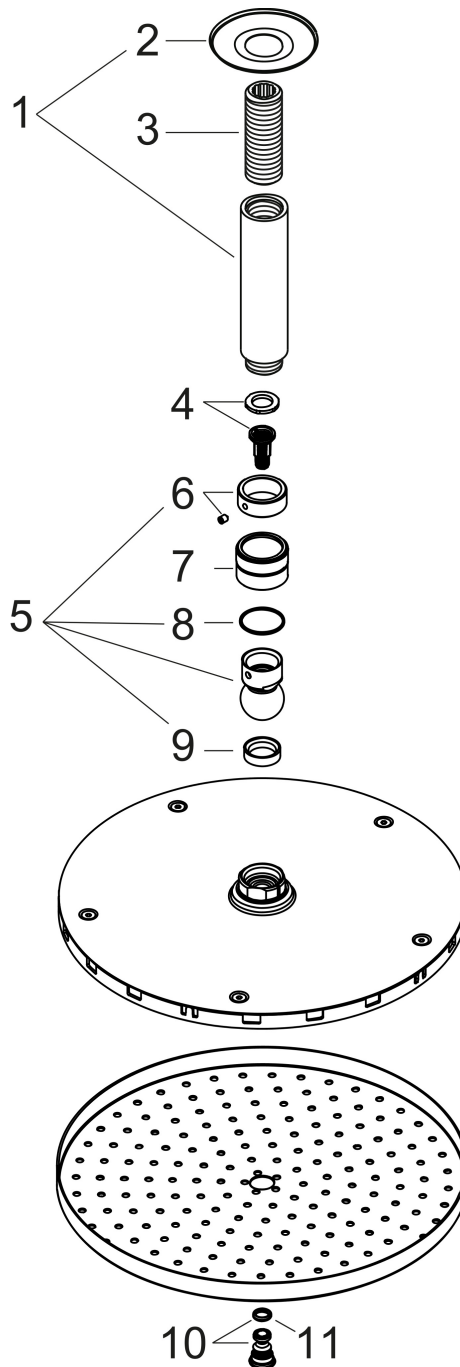
Flow chart



The consumption was measured in combination with the appropriate fittings (thermostat/mixer/in-wall valve) to reflect actual application in practice.

Brand hansgrohe
Art. Name **Raindance S** Overhead shower 240 1jet PowderRain with ceiling connector
Art. Nr. 27620000
Surface Chrome

Spare Parts Drawing for build year: >04/18



Brand hansgrohe
 Art. Name **Raindance S** Overhead shower 240 1jet PowderRain with ceiling connector
 Art. Nr. 27620000
 Surface Chrome

Spare parts list for build year: >04/18

Pos.	Description	Articlenumber
1	shower arm	27479000
2	escutcheon	97734000
3	connecting thread	95188000
4	filter insert	97708000
5	ball joint	98941000
6	lock washer	98942000
7	nut	97958000
8	lever collar	97536000
9	seal	97606000
10	screw	95796000
11	O-ring 7x2	98419000