

Brand hansgrohe
 Art. Name **Raindance S** Overhead shower 300 1jet EcoSmart with ceiling connector
 Art. Nr. 26600000
 Surface Chrome

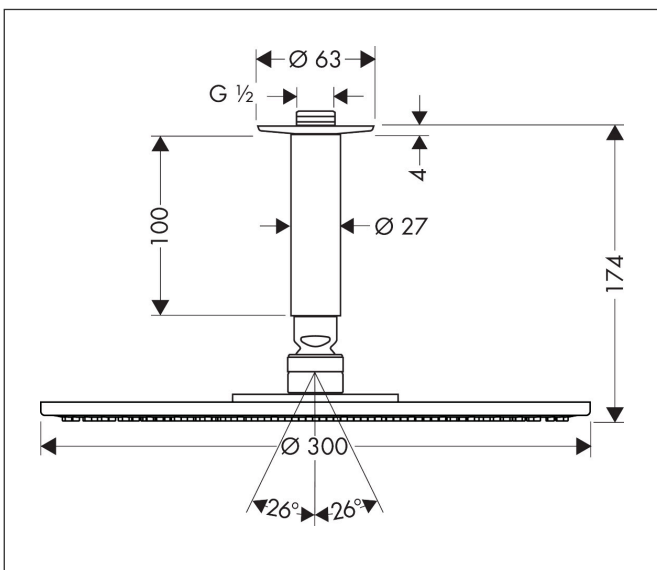
Product picture



Features

- consists of: overhead shower, ceiling connector
- shower head size: 300 mm
- spray type: RainAir
- flow rate RainAir spray at 3 bar: 9 l/min
- function from: 6,5 l/min
- maximum flow rate at 3 bar: 9 l/min
- minimum flow pressure: 1,5 bar
- overhead shower angle adjustable
- material spray disc: metal
- spray disc removable for cleaning
- ceiling connection length: 100 mm
- installation: ceiling mounting
- connection thread: G 1/2
- connection dimension: DN15
- suitable for continuous flow water heaters

Drawing



Technology

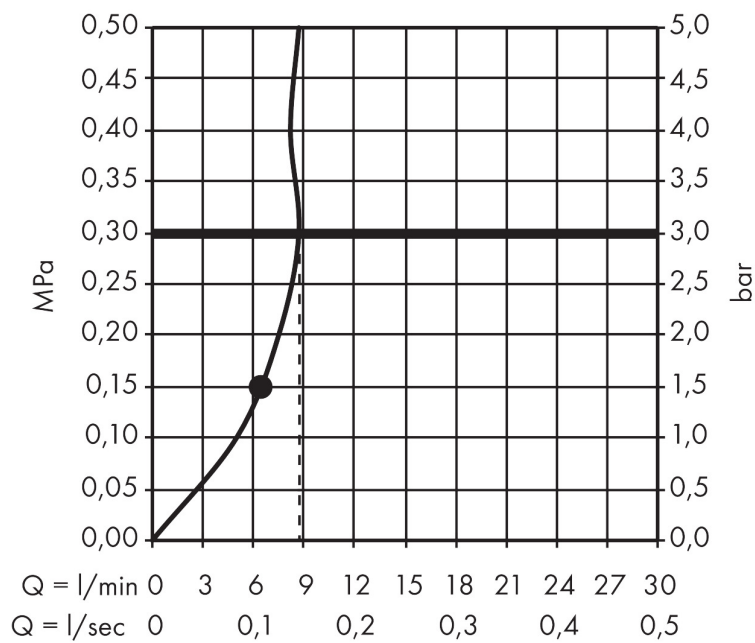


Spray Types



Brand hansgrohe
 Art. Name **Raindance S** Overhead shower 300 1jet EcoSmart with ceiling connector
 Art. Nr. 26600000
 Surface Chrome

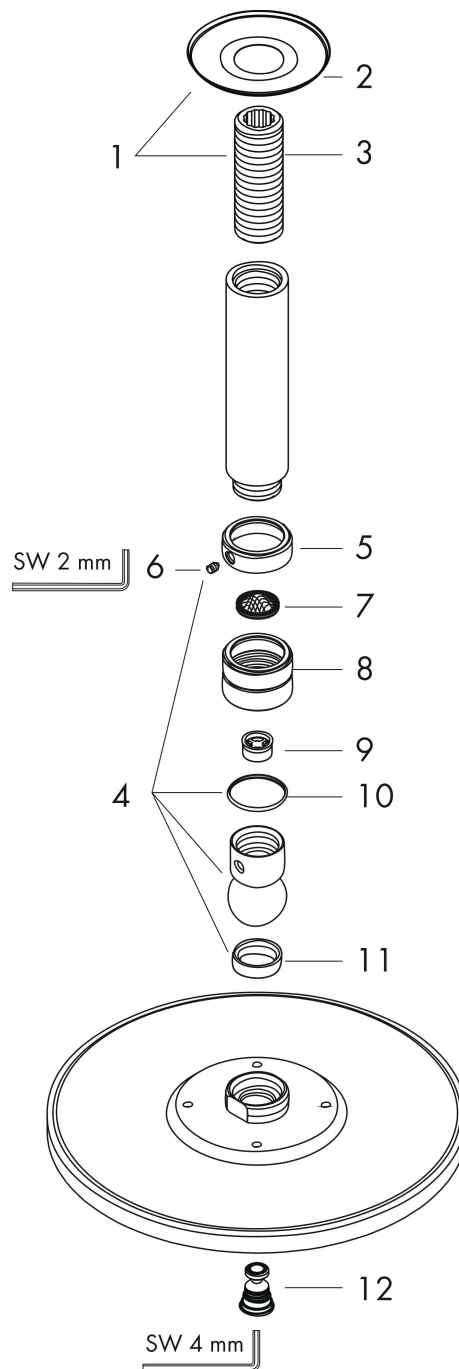
Flow chart



The consumption was measured in combination with the appropriate fittings (thermostat/mixer/in-wall valve) to reflect actual application in practice.

Brand hansgrohe
Art. Name **Raindance S** Overhead shower 300 1jet EcoSmart with ceiling connector
Art. Nr. 26600000
Surface Chrome

Spare Parts Drawing for build year: >09/14



Brand hansgrohe
 Art. Name **Raindance S** Overhead shower 300 1jet EcoSmart with ceiling connector
 Art. Nr. 26600000
 Surface Chrome

Spare parts list for build year: >09/14

Pos.	Description	Articlenumber
1	shower arm	27479000
2	escutcheon	97734000
3	connecting thread	95188000
4	ball joint	98941000
5	hollow set screw M4x6	97767000
6	lock washer	98942000
7	filter packing	94246000
8	nut	97958000
9	flow limiter (9 l/min)	95659000
10	lever collar	97536000
11	seal	97606000
12	air jet (Eco)	95795000