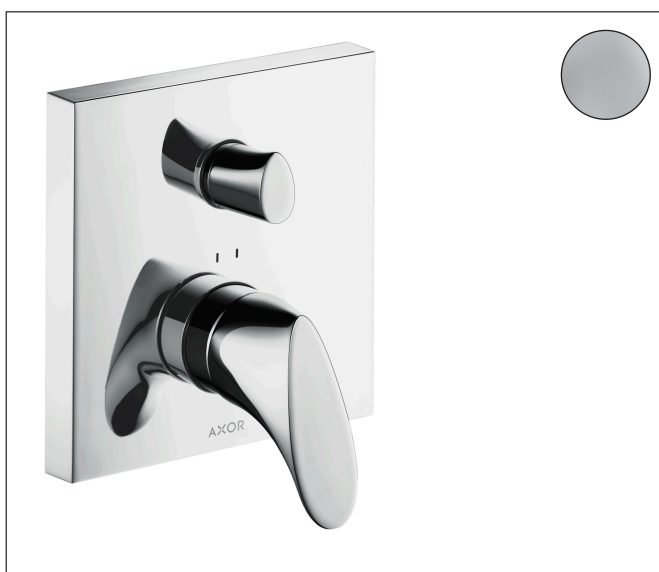


Brand	AXOR
Art. Name	AXOR Starck Organic Single lever bath mixer for concealed installation with integrated security combination according to EN1717
Art. Nr.	12416000
Surface	Chrome

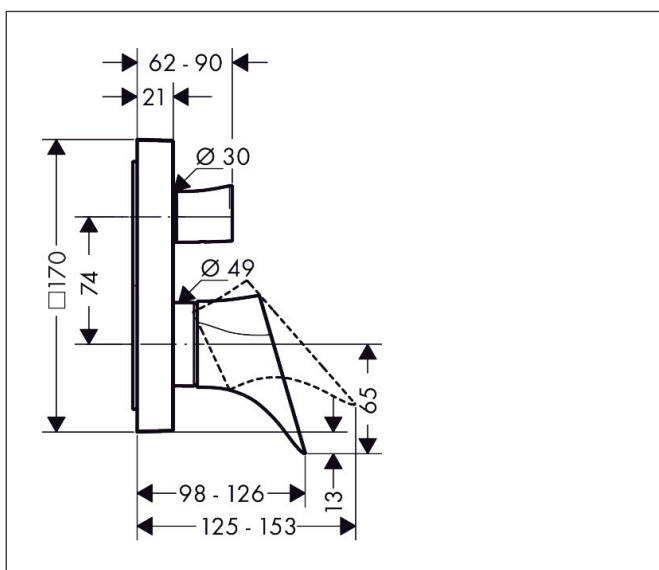
Product picture



Features

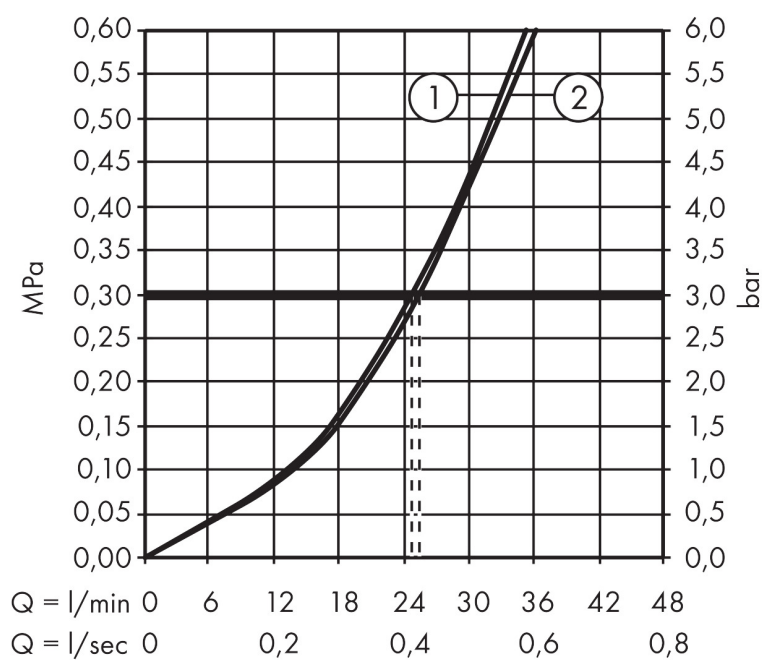
- 2 functions
- maximum flow rate at 3 bar: 22 l/min
- temperature limitation adjustable
- diverter with automatic resetting
- with silencer
- suitable for continuous flow water heaters
- with integrated safety combination EN 1717
- connection type: basic set
- wall-mounted

Drawing



Brand AXOR
 Art. Name **AXOR Starck Organic** Single lever bath mixer for concealed installation with integrated security combination according to EN1717
 Art. Nr. 12416000
 Surface Chrome

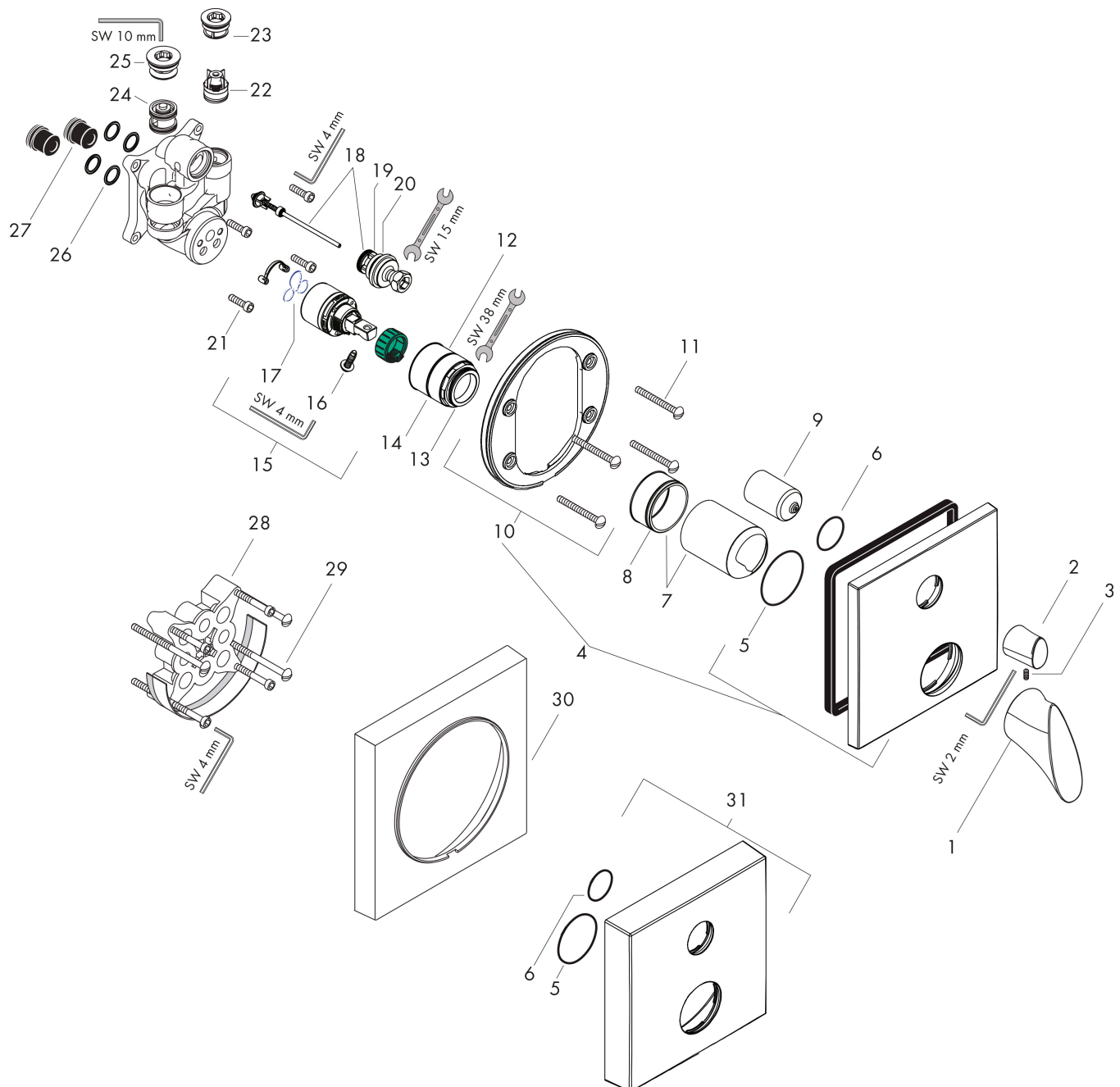
Flow chart



1 Shower outlet
 2 Tub outlet

Brand AXOR
 Art. Name **AXOR Starck Organic** Single lever bath mixer for concealed installation with integrated security combination according to EN1717
 Art. Nr. 12416000
 Surface Chrome

Spare Parts Drawing for build year: >01/17



Brand AXOR
 Art. Name **AXOR Starck Organic** Single lever bath mixer for concealed installation with integrated security combination according to EN1717
 Art. Nr. 12416000
 Surface Chrome

Spare parts list for build year: >01/17

Pos.	Description	Articlenumber
1	handle	98311000
2	diverter knob cpl.	98310000
3	hollow set screw M4x10	97667000
4	escutcheon	98309000
5	O-Ring 48x3	95508000
6	O-ring 29x3	98371000
7	flange	98684000
8	O-ring 43x1,5	98148000
9	sleeve	98308000
10	holder for escutcheon	98793000
11	set of fixing screws	96454000
12	nut	98796000
13	O-ring 30x1,5	98433000
14	O-ring 39x1,5	98400000
15	cartridge, assy	92730000
16	locking screw for handle	95140000
17	seal	95008000
18	selector assy	95014000
19	O-ring 17x2	98199000
20	O-ring 20x2,5	92602000
21	set of screws	96525000
22	non return valve	96655000
23	O-ring 19x2	98426000
24	vacuum breaker	96753000
25	O-Ring 22x2	98185000
26	O-ring 16x2	98133000
27	noise reduction	94073000
28	extension 25 mm	13595000
29	set of fixing screws	97747000
30	extension 22 mm	97407000

Brand AXOR
Art. Name **AXOR Starck Organic** Single lever bath mixer for concealed installation with integrated security combination according to EN1717
Art. Nr. 12416000
Surface Chrome

Spare parts list for build year: >01/17

Pos.	Description	Articlenumber
31	escutcheon height = 33 mm (when wall is not deep enough).	14968000
a	concealed item	01800180
b	fixation set	96615000